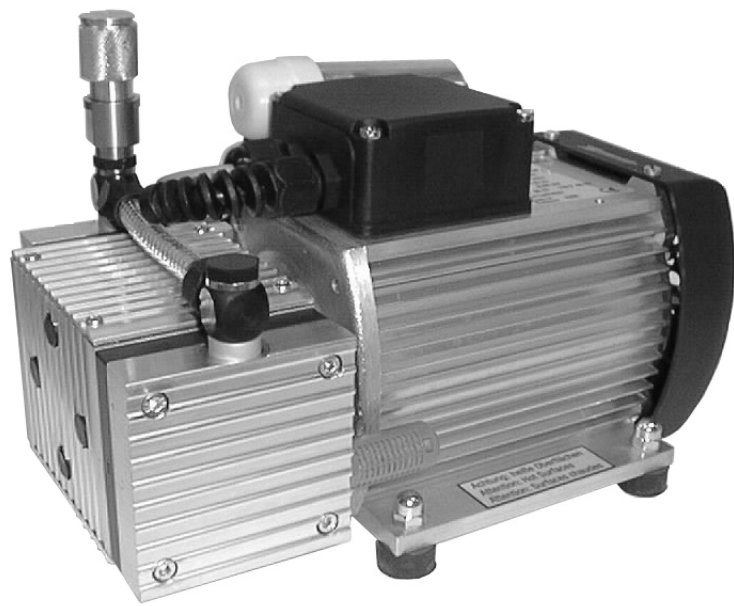


## *Diaphragm Vacuum Pump*



***MVP 015***

***MVP 015-T***

# Index

---

	Page
<b>1. Safety Precautions.....</b>	<b>3</b>
1.1. For Your Orientation.....	3
1.2. Pictogram Definitions.....	3
<b>2. Understanding The Pump.....</b>	<b>4</b>
2.1. Main Features.....	4
2.2. Differences Between The Pump Types.....	4
<b>3. Installation.....</b>	<b>4</b>
3.1. Setting Up The Pump And Location.....	4
3.2. Connecting The Vacuum Side.....	4
3.3. Connecting The Exhaust Side.....	4
3.4. Connecting To Mains Power.....	5
<b>4. Operations.....</b>	<b>5</b>
4.1. Important Information.....	5
4.2. Intermittent Operations.....	6
<b>5. What To Do In Case Of Breakdown?.....</b>	<b>7</b>
<b>6. Maintenance.....</b>	<b>8</b>
6.1. Precautionary Measures During Maintenance Work.....	8
6.2. Cleaning And Replacing Valves And Membranes.....	8
6.3. Dismantling The Membrane Head.....	8
6.4. Assembling The Membrane Head.....	8
<b>7. Service.....</b>	<b>9</b>
<b>8. Technical Data.....</b>	<b>10</b>
8.1. Dimensions.....	11
<b>9. Spare Parts.....</b>	<b>12</b>
<b>Contamination Declaration.....</b>	<b>13</b>
<b>Conformity Declaration.....</b>	<b>last page</b>

## **Please note!**

Current operating instructions are available via [www.pfeiffer-vacuum.de](http://www.pfeiffer-vacuum.de) under "Infoservice".

# 1. Safety Precautions

- Read and follow all the instructions in this manual.
- Inform yourself regarding:
  - Hazards which can be caused by the pump;
  - Hazards which can arise in your system;
  - Hazards which can be caused by the medium being pumped.
- Avoid exposing any part of the body to vacuum.
- Observe all safety and accident prevention regulations.
- Check regularly that all safety requirements are being complied with.
- Do not carry out any unauthorised conversions or modifications on the pump.
- When returning the pump to us please note the shipping instructions in Section 7.

## 1.1. For Your Orientation

### Instructions in the text

- ➔ Operating instructions: Here you have to do something!

### Symbols used

The following symbols are used throughout in the illustrations:

- Ⓥ Vacuum connection (intake side)
- Ⓛ Exhaust connection (outlet side)
- ⚡ Power supply connection
- ⓐ Gas ballast connection

### Position numbers

Identical components and accessories parts have the same position numbers in all illustrations.

## 1.2. Pictogram Definitions



Danger of personal injury.



Danger of damage to the pump or system.



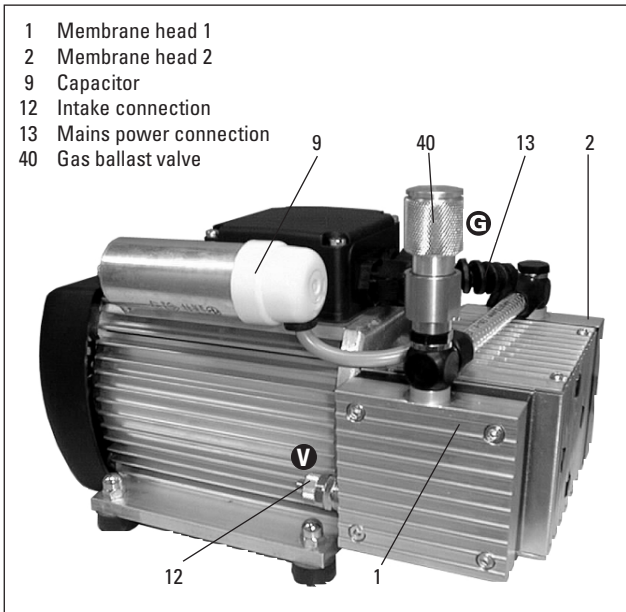
Danger of burns from touching hot parts.



Attention to particularly important information on the product, handling the product, or to a particular part of the documentation.

## 2. Understanding The Pump

### 2.1. Main Features



### 2.2. Differences Between The Pump Types

Feature	MVP 015	MVP 015-T
Vacuum side	G 1/4" with 1m synthetic hose (DN 10 ISO-KF or (others on request)	G 1/4" with 1m synthetic hose
Exhaust side	Silencer	Silencer
Voltage connection	with switch and mains power cable	without switch with mains power cable with power relais and connecting plug for the exclusively connection to Pfeiffer-turbo pumps with TCP (without TCS)

## 3. Installation

### 3.1. Setting Up The Pump And Location

- ➔ Place pump on a smooth, even surface.
- ➔ Anchor the pump if it is to be erected in a stationary position.
- ➔ Anchoring is not necessary if the pump is not erected in a stationary position.
- ➔ Ambient temperature range + 12 ... +40 °C.
- ➔ Where rack installation is involved, ensure adequate ventilation.

### 3.2. Connecting The Vacuum Side

- Remove locking cap on intake connection.
- Make connection between the vacuum system and pump as short as possible.
- Connect pump with intake connection to the apparatus.

### Proper use

- The Diaphragm Pump MVP pump series may only be used for the purpose of generating vacuum.
- Do not pump corrosive or explosive gases.
- Do not pump liquids.
- Do not operate the pump in locations where there is an explosion hazard.
- Accessories other than those named in this manual may not be used without the agreement of PFEIFFER.
- Do not use the connecting line between the heads of the pump as a handle.
- The Diaphragm Pumps may not be used for the purpose of generating pressure.
- Equipment must be connected only to a suitable fused and protected electrical supply and a suitable earth point.
- Ensure that installation is in compliance with limitations from the degree of protection, see section "Technical Data".

### Improper Use

The following are regarded as improper:

- Uses not covered above, and, in particular:
  - Connection to pumps and units which is not permitted according to their operating instructions.
  - Connection to units which contain touchable and voltage carrying parts.

Improper use will cause any rights regarding liability and guarantees to be forfeited.

- If liquid - which would generate vapours - is present in the system to be evacuated, a condensate trap must be fitted upstream of the pump.

### 3.3. Connecting The Exhaust Side



Pressure can rise to dangerous levels in exhaust lines. Therefore, lay exhaust side lines without shut-off units. Do not connect the exhaust side with a closed system on account of the danger of bursting.

In certain applications, exhaust gases and vapours can be very hot and represent a health and/or environment hazard. Lay lines from the pump sloping downwards so that condensate cannot run back into the pump, otherwise fit a separator.

### 3.4. Connecting To Mains Power

The pump is driven by wide voltage AC motors with the following possible variants:

220 V - range 187...265 V, 50/60 Hz

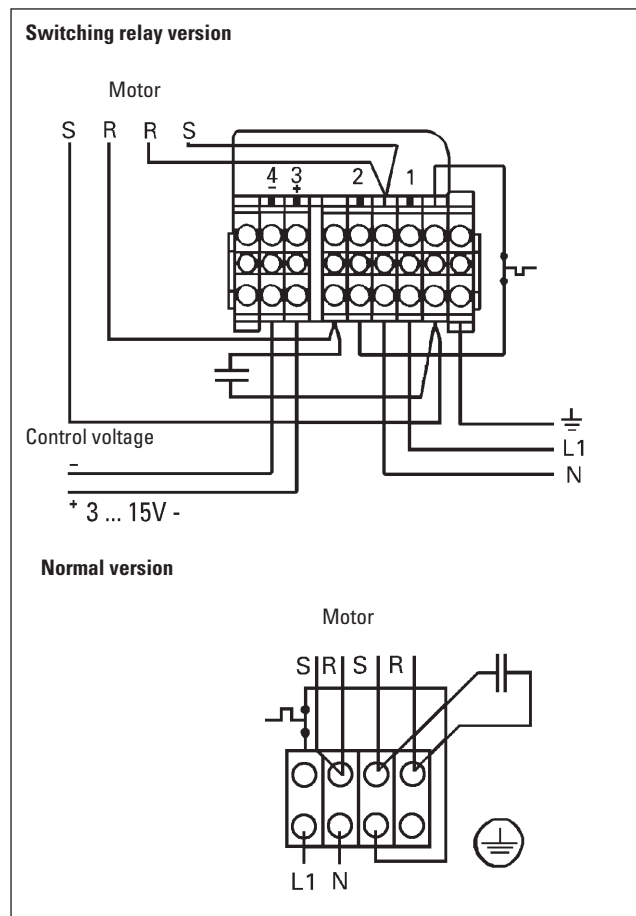
110 V - range 90...127 V, 50/60 Hz



Power connections must comply with local regulations. Voltage and frequency information given on the rating plate must correspond to the mains voltage and frequency values. The pump may only be connected to mains current with earthed conductor.



Pump versions where the thermostatic winding protection protrudes must be appropriately wired to ensure the motor is protected.



## 4. Operations

### 4.1. Important Information



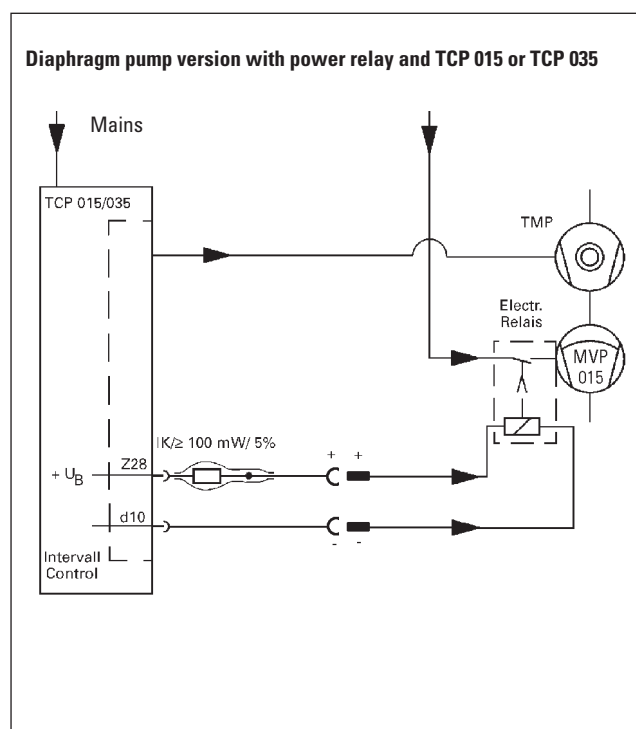
Before starting, ensure that impermissibly high pressures cannot build up on the pressure side. Interchanging the connections causes dangerous excess pressure levels.

When the pump is running, surfaces and motor casing become hot.



When the pump is running, surfaces and motor casing become hot.

- The pump can be switched on and off at all times.
- The intake connection and the output are marked with **V** and **Δ** respectively.
- If the pump is subjected to condensates it should be allowed to run for a few minutes under atmospheric pressure before switching off.

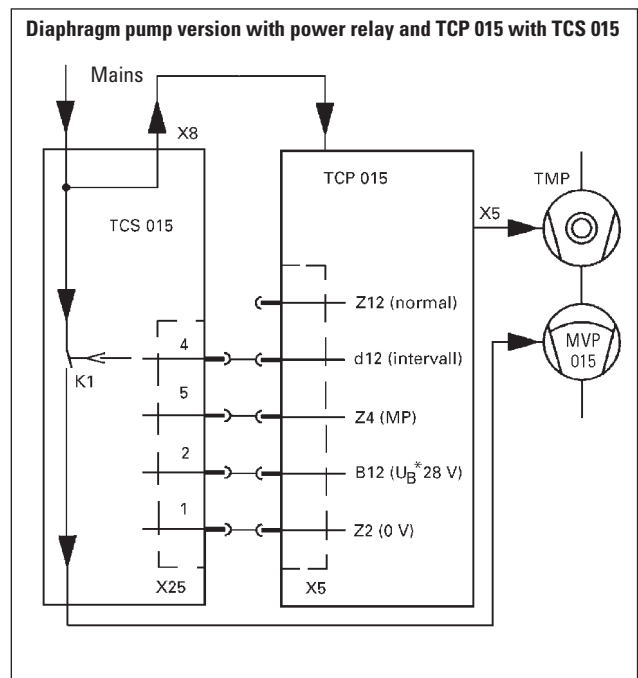


## 4.2 Intermittent Operations

To prolong the life of diaphragm pumps, intermittent operations can be selected with lesser gas throughputs of <math> < 0.18 \text{ mbar l/s}</math>. This means that, dependent on the TMP power take-up, the backing pump will be switched on and off. TMP power take-up is dependent on the fore-vacuum pressure and gas throughput.

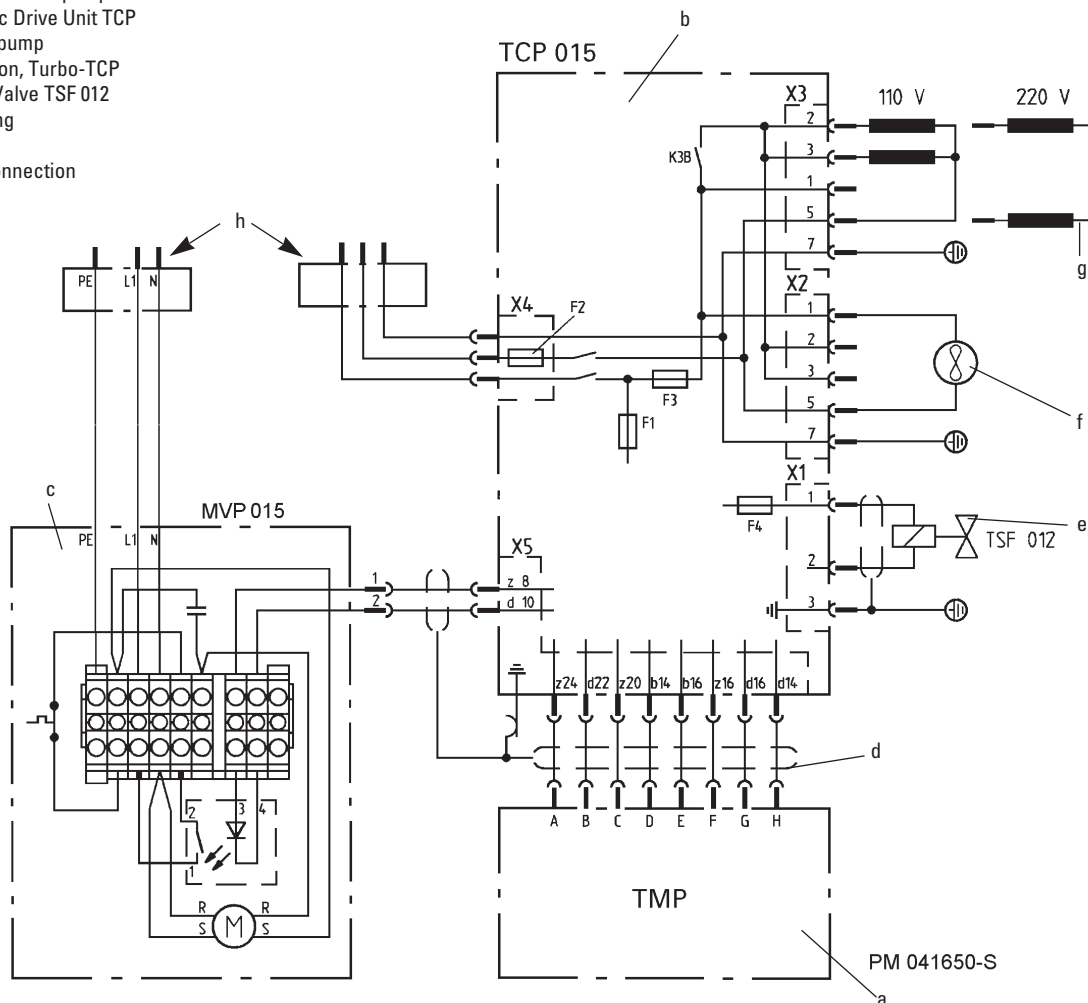
- By comparing the power take-up with an upper and a lower limit value, the relative switch-on duration with lesser gas throughputs can be reduced to approx. 1 to 60%
- To avoid too frequent switching on, the buffer volume in the fore-vacuum line should amount to  $\geq 0.5$  liter from approx.  $0.018 \text{ mbar l/s}$ .

Possible intermittent operations variations are shown in the following diagram:



### MVP 015-T with power relay and with TCP 015

- a Turbomolecular pump
- b Electronic Drive Unit TCP
- c Backing pump
- d Connection, Turbo-TCP
- e Venting Valve TSF 012
- f Air cooling
- g Heating
- h Mains connection



### 4.3. Operation With Gas Ballast

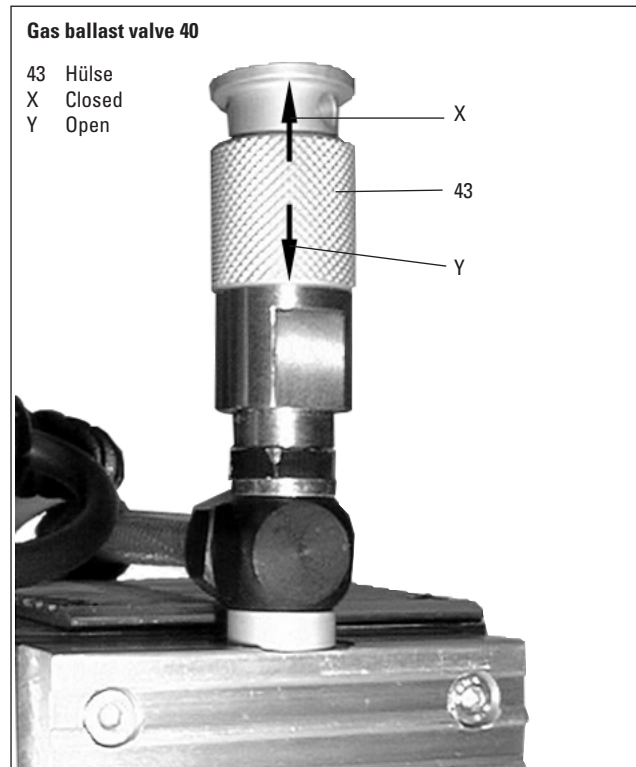
The pumping of air or process gases can cause moisture/vapour to condense in the pump. This has an effect on the attainable final pressure and the volume flow rate levels.

The rate of expulsion of condensate can be increased by admitting gas ballast air and the pump will attain the specified final pressure within a shorter time. This is achieved by setting the sleeve 43 on gas ballast valve to the position „open“ (Y).

When starting the pump or system and when the presence of vapour is to be anticipated it is recommended to open the gas ballast valve in advance. If the intake pressure of the pump increases or is unusually high, the valve can also be opened when the pump is running. Once the final pressure has stabilised the valve can again be closed.

Although the gas ballast equipment has been designed to operate non-stop it should be taken into account that when the valve is open the final vacuum level of the pump is slightly increased.

The lower part of the valve casing has been constructed in such a way to permit the mounting of a magnetic valve with a connection thread of G 1/8“.



## 5. What To Do In The Case Of Breakdowns ?

Problem	Possible cause	Remedy
Pump does not attain final pressure	Condensate in the pump	Run pump for a longer period under atmospheric pressure
	Valves/diaphragms defective/dirty	Clean or replace valves and diaphragms, see section 6.
	Leak in system	Repair leak
Unusual operating noises	Valves/diaphragms defective	See maintenance in section 6.
Pump does not start	Ambient temperature < 12 °C	Warm pump
	Dirty valves/diaphragms	See maintenance in section 6.
	On power relay version control voltage fault or relay defective	Check control voltage (see section 3.4.) Check relay
	Pump switches off	Sticking diaphragms Wrong mains voltage

## 6. Maintenance

### 6.1. Precautionary Measures During Maintenance Work



Whenever working on the pump ensure the motor cannot get switched on. If necessary, remove pump from the system for inspection. Before dismantling allow the pump to cool down.

- ➔ Only dismantle the pump as far is necessary to effect repairs.
- ➔ Use only alcohol or similar cleaning agents for cleaning. Do not use solvents.

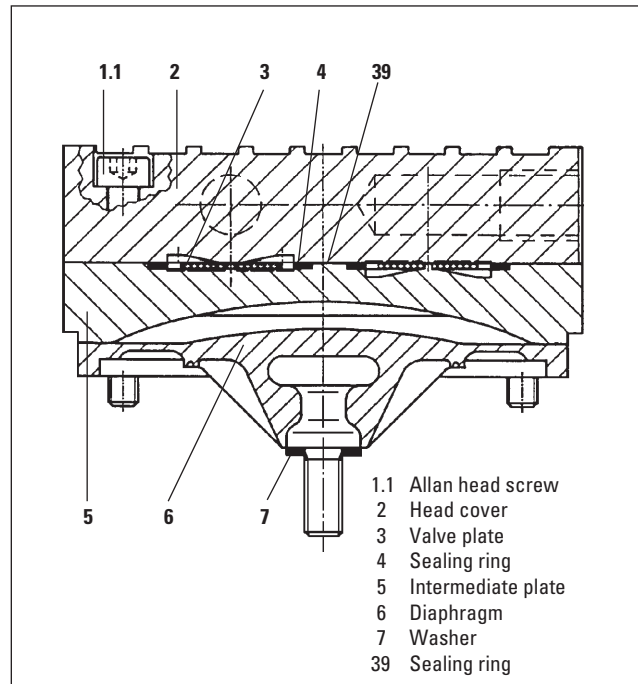
### 6.2. Cleaning And Replacing Valves And Membranes



There can be different numbers of washers 7 in each membrane head. Ensure the correct assignment for mounting when dismantling the membrane heads. Don't confuse the washers 7.

### 6.3. Dismantling The Membrane Head

- ➔ Allow the pump to cool down before dismantling.
- ➔ Using an SW 14 spanner, unscrew hollow screw 11 with gas ballast valve 40 of interhead connection 1) on diaphragm head 1 (see marks on the housing).
- ➔ As far as possible place pump on its side so that the head to be dismantled points up.
- ➔ Using an SW 3 allen key, unscrew the four allen head screws 1.1 and remove head cover 2, taking care with the two valve plates 3, the sealing rings and the sealing ring 39 between the head cover 2 and the intermediate plate 5.
- ➔ Remove intermediate plate 5.
- ➔ Use a small screwdriver to carefully release out diaphragm 6 and manually unscrew from the connecting rod (right-hand thread). Look out for possible washers 7.
- ➔ Check clearance hole in the intermediate plate 5 of the head cover 1; clean carefully if necessary.
- ➔ Clean all parts with alcohol and examine diaphragms, valves and seals for possible damage and renew as necessary. If a new diaphragm is to be fitted, the washers 7 of the old diaphragm must be used again otherwise the pump will not attain the required pressure.



### 6.4. Assembling The Membrane Head

- ➔ Assemble all parts in reverse order. The connecting rod should be positioned in the upper dead point when fitting the diaphragm. Ensure correct positioning of all parts.
- ➔ Check correct sealing ring seating.
- ➔ Re-make hose connection and re-tighten hollow screw 11 complete with gas ballast valve 40.
- ➔ Test pump for function.

### 6.5. Dismantling The Gas Ballast Valve

- ➔ Unscrew gas ballast valve 40 with SW 17 key from hollow screw 48; taking care with the o-ring 47.
- ➔ Unscrew valve housing 41 and reducing piece 45; use suitable tool (bolt) for the bore
- ➔ Remove sleeve 43 of the valve housing 41.
- ➔ Check the USIT- ring and O-ring 42 for possible damage and renew as necessary.
- ➔ Unlever circular spring 49 with a small screw driver carefully out of the reducing piece 45.
- ➔ Turn reducing piece 45 to the table and dump out filter 46.
- ➔ Clean all parts, check for possible damage and renew as necessary.
- ➔ Assemble all parts in reverse order; taking care with the bore in sleeve 43 (bore pointed to the top).



## 7. Service

### Do Make Use Of Our Service Facilities

In the event that repairs are necessary to your pump, a number of options are available to you to ensure any system down time is kept to a minimum:

- Have the pump repaired on the spot by our PFEIFFER Service Engineers;
- Return the individual components to the manufacturer for repairs;
- Replace individual components with a new value exchange units.

Local PFEIFFER representatives can provide full details.

### Before Returning:

- ➔ Dismantle all accessories.
- ➔ Attach a clearly visible notice: "Free of contamination" (to the unit being returned, the delivery note and accompanying paperwork).

Harmful substances" are substances and preparations as defined in current legislation. PFEIFFER will carry out the decontamination and invoice this work to you if you have not attached this note. This also applies where the operator does not have the facilities to carry out the decontamination work. Units which are contaminated microbiologically, explosively or radioactively cannot be accepted as a matter of principle.

### Fill Out The Contamination Declaration

- ➔ In every case the "Contamination Declaration" must be completed diligently and truthfully.
- ➔ A copy of the completed declaration must accompany the unit; any additional copies must be sent to your local PFEIFFER Service Center.

Please get in touch with your local PFEIFFER representatives if there are any questions regarding contamination.



Decontaminate units before returning or possible disposal. Do not return any units which are microbiologically, explosively or radioactively contaminated.

### Returning Contaminated Units

If contaminated units have to be returned for maintenance/repair, the following instructions concerning shipping must be followed without fail:

- ➔ Neutralise the pump by flushing with nitrogen or dry air.
- ➔ Seal all openings to the air.
- ➔ Seal pump or unit in suitable protective foil.
- ➔ Ship units only in appropriate transport containers.



Repair orders are carried out according to our general conditions of sale and supply.

- ➔ If repairs are necessary, please send the unit together with a short damage description to your nearest PFEIFFER Service Center.

### Contact Addresses And Telephone Hotline

Contact addresses and service hotlines can be found on the back cover of these operating instructions.

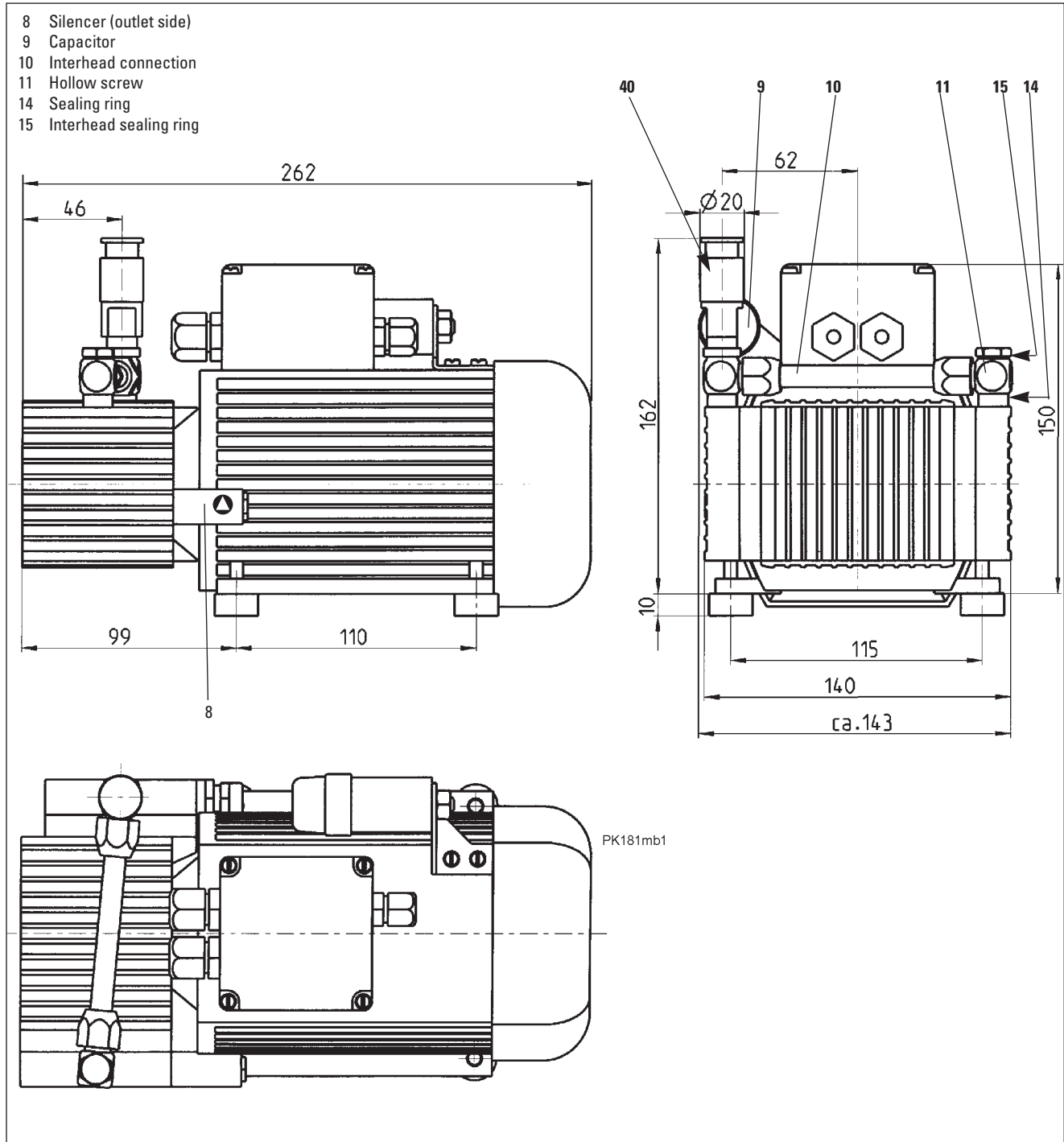
## 8. Technical Data

Size	Unit	MVP 015 / MVP 015-T	MVP 015-2
Connections			
Intake side <sup>1)</sup>		G 1/8"	G 1/8"
Pressure side <sup>2)</sup>		silencer (G 1/8")	silencer (G 1/8")
Nominal volume flow rate at 1000 mbar			
50 Hz	l/min	15	15
60 Hz	l/min	18	18
Volume flow rate at 10 mbar			
50 Hz	l/min	≥ 3,8	≥ 3,8
60 Hz	l/min	≥ 4,4	≥ 4,4
Final pressure	mbar	≤ 3,5	≤ 3,5
Final pressure with gas ballast	mbar	≤ 4,5	≤ 4,5
Permissible exhaust pressure	mbar	1050	1050
Leakrate	mbar l/s	≤ 5·10 <sup>-3</sup>	≤ 5·10 <sup>-3</sup>
Max. operating altitude (a. s. l)	m	2000	2000
Temperature for restarting under vacuum	°C	12...40	12...40
Noise level	dB(A)	ca. 49	ca. 49
Motor (insulation material class B)		IP 54	IP 54
Power at			
100 V 50 Hz	W	65	55
115 V 60 Hz	W	65	100
208 V 60 Hz	W	40	80
230 V 50 Hz	W	40	65
Max. permissible operating temperature	°C	80	80
Overload protection (coiled temperature switch)	°C	118	118
Weight, approx.	kg	6	6,5

1) included with hose 6-8 with G1/4" connection or DN10 ISO-KF

2) Pressure side, closed with silencer (pipe thread DIN ISO 228)

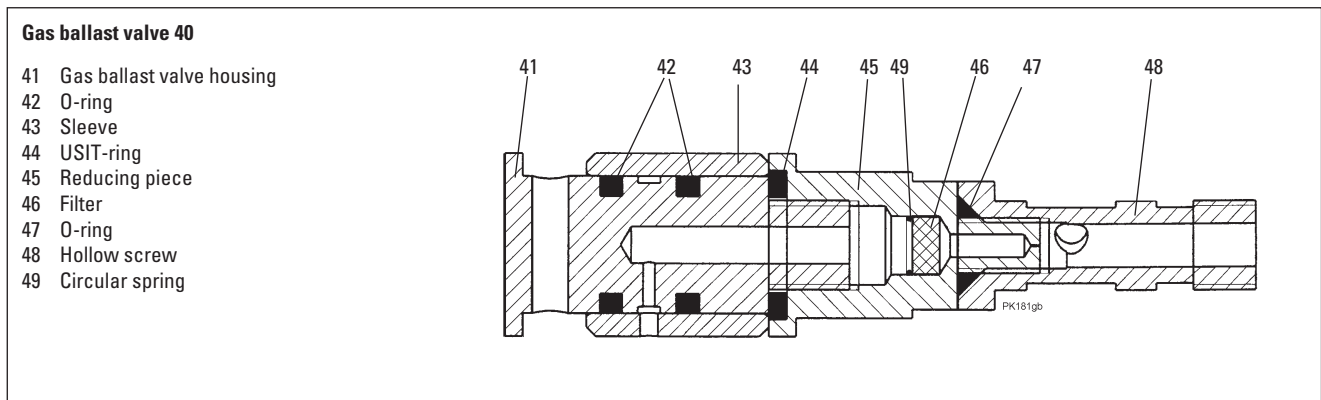
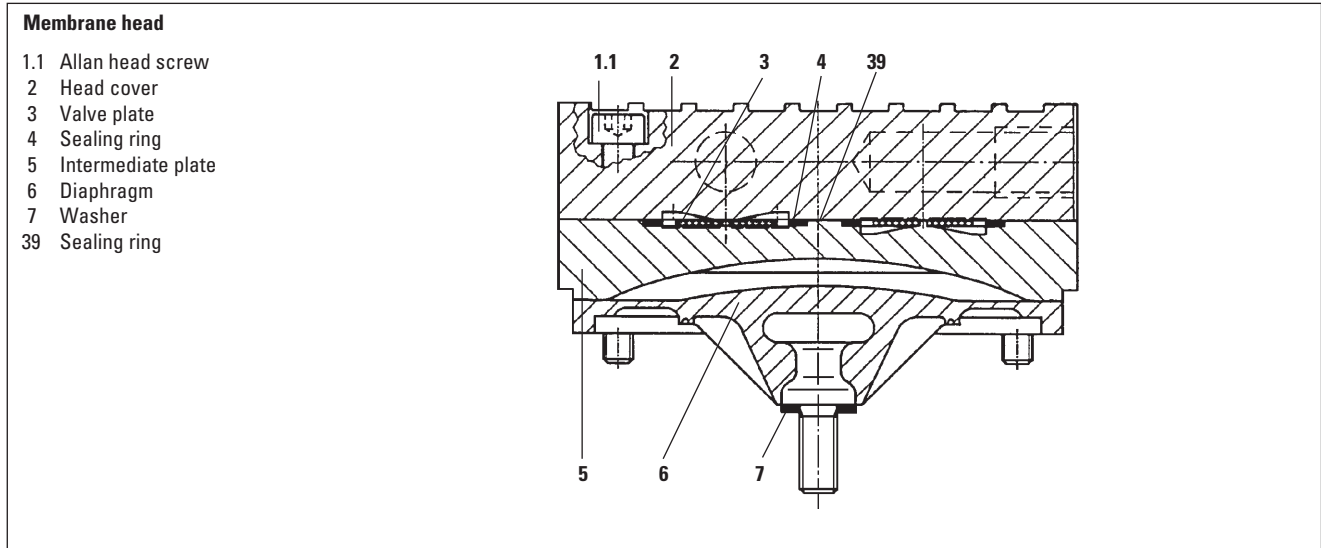
## 8.1. Dimensions



## 9. Spare Parts

Pos.	Description	Pieces	Size	Number	Comments/relevant	Ord. Quantity
	<b>MVP 015 and MVP 015-T</b> Spare parts pack contains all necessary wear parts:					
3	Valve plate	4		PK 050 013 -T		
4	Sealing ring	4				
6	Diaphragm	2				
8	Silencer	1		P 0920 567 E		
14	Sealing ring	2	R 1/8			
15	Interhead sealing ring	2	R 1/8			
10	Interhead connection, complete	1		PK 050 002 -T		
12	Intake hose	1	1.0 m, 6 x 1	P 0991 939		
39	Sealing ring for bypass boring	1	D 4,5 x 1,6 x 1	P 0995 947	EPDM 266	
41	Gas ballast valve housing	1		PK 050 142		
42	O-ring	2	10 x 2,5	P 4070 166 PV	Viton	
43	Sleeve	1		PK 050 141		
44	USIT-ring	1	U10,35/16x2	P 3529 133-A		
45	Reducing piece	1		PK 050 137		
46	Filter	1		B 4161 200 3G		
47	O-ring	1	6 x 2,2	P 4070 088 PV	Viton	
48	Hollow screw	1	G 1/8"/M6	PK 050 136		
49	Circular spring	1		BG 510 857		

When ordering accessories and spare parts please be sure to state the full part number. When ordering spare parts please state additionally the unit type and unit number (see rating plate). Please use this list as an order form (by taking a copy).



## Declaration of Contamination of Vacuum Equipment and Components

The repair and/or service of vacuum components will only be carried out if a correctly completed declaration has been submitted. Non-completion will result in delay.

The manufacturer could refuse to accept any equipment without a declaration.

**This declaration can only be completed and signed by authorised and qualified staff:**

**1. Description of component:**

- Equipment type/model: \_\_\_\_\_
- Code No.: \_\_\_\_\_
- Serial No.: \_\_\_\_\_
- Invoice No.: \_\_\_\_\_
- Delivery Date: \_\_\_\_\_

**2. Reason for return:**

\_\_\_\_\_

\_\_\_\_\_

\_\_\_\_\_

\_\_\_\_\_

**3. Equipment condition**

- Has the equipment been used?  
yes  no
- What type of pump oil was used?  
\_\_\_\_\_
- Is the equipment free from potentially harmful substances?  
yes  (go to section 5)  
no  (go to section 4)

**4. Process related contamination of equipment**

- toxic yes  no
- corrosive yes  no
- microbiological hazard\*) yes  no
- explosive\*) yes  no
- radioactive\*) yes  no
- other harmful substances yes  no

\*) We will not accept delivery of any equipment that has been radioactively or microbiologically contaminated without written evidence of decontamination!

Please list all substances, gases and by-products which may have come into contact with the equipment:

Tradename Product name Manufacturer	Chemical name (or Symbol)	Danger class	Precautions associated with substance	Action if spillage or human contact
1.				
2.				
3.				
4.				
5.				

### 5. Legally Binding Declaration

I hereby declare that the information supplied on this form is complete and accurate. The despatch of equipment will be in accordance with the appropriate regulations covering Packaging, Transportation and Labelling of Dangerous Substances.

Name of Organisation: \_\_\_\_\_

Address: \_\_\_\_\_ Post code: \_\_\_\_\_

Tel.: \_\_\_\_\_

Fax: \_\_\_\_\_ Telex: \_\_\_\_\_

Name: \_\_\_\_\_

Job title: \_\_\_\_\_

Date: \_\_\_\_\_ Company stamp: \_\_\_\_\_

Legally binding signature: \_\_\_\_\_



## Konformitätserklärung Declaration of Conformity



im Sinne folgender EU-Richtlinien:  
pursuant to the following EU directives:

- **Maschinen/Machinery 98/37/EG**
- **Elektromagnetische Verträglichkeit/Electromagnetic Compatibility 89/336/EWG**
- **Niederspannung/Low Voltage 73/23/EWG**

Hiermit erklären wir, daß das unten aufgeführte Produkt den Bestimmungen der EU-Maschinenrichtlinie 98/37/EG - Anhang IIA, der EU-Richtlinie über elektromagnetische Verträglichkeit 89/336/EWG und der EU-Niederspannungsrichtlinie 73/23/EWG entspricht.

We hereby certify that the product specified below is in accordance with the provision of EU Machinery Directive 98/37/EEC - Annex II A, EU Electromagnetic Compatibility Directive 89/336/EEC and EU Low Voltage Directive 73/23/EEC.

Produkt/Product:

**MVP 015**  
**MVP 015-T**

Angewendete Richtlinien, harmonisierte Normen und angewendete, nationale Normen in Sprachen und Spezifikationen:

Guidelines, harmonised standards, national standards in languages and specifications which have been applied:

EN 292-1	EN 55 014
EN 292-2	EN 50 081-1
EN 294	EN 50 082-1
EN 60 204-1	EN 60 555-2, -3
EN 60 335-1	EN 1012-2

Unterschrift/Signature:



Pfeiffer-Vacuum GmbH  
Berliner Strasse 43  
35614 Asslar  
Germany

(W. Dondorf)  
Geschäftsführer  
Managing Director

Konf.I/2000

# Adressen • Addresses

## Argentina

ARO S.A., Av. Belgrano 369,  
1092 Buenos Aires, telephone +54 / 11 4331 5766,  
telex +54 / 11 4331 3572

## Australia

Sciteck Australia Pty. Ltd., Suite 1B,  
10-18 Cliff Street, Milsons Point, NSW 2061,  
telephone +61 / 2 9954 1925, telex +61 / 2 9954 1939

## Austria

Pfeiffer Vacuum Austria GmbH  
Diefenbachgasse 35, A-1150 Wien,  
telephone +43 / 1 8941 704, telex +43 / 1 8941 707  
Service Hotline: +43 / 1 8941704

## Branch Office, Czech Republic

Pfeiffer Vacuum Austria GmbH, Branch Prague  
Zvonarska 885  
CZ-156 00 Praha 5  
telephone + 420/2 900 42981, telex + 420/2 579 23014

## Belgium / Luxemburg

Pfeiffer Vacuum Belgium N.V./S.A.  
Luxemburgstraat 5, B-9140 Temse  
telephone +32 / 3 710 5920, telex +32 / 3 710 5929  
Service Hotline: +32 / 3 710 5922

## Brazil

Elmi Tec  
Assistencia Técnica e Representação S/C Ltda.  
Rua Bernadino de Campos, 551-Brooklin  
CEP 04620-002 São Paulo, SP - Brasil  
telephone +55 / 11 5532 0740, telex +55 / 11 5535 3598

## Chile

BERMAT S.A., Coyancura 2283, Oficina 601  
Providencia, P.O. Box 9781, Santiago  
telephone +56 / 2 231 8877, telex +56 / 2 231 4294

## Colombia

Arotec Colombiana S.A., Carrera 16 No. 36-89  
P.O. Box 050 862, Santafé de Bogotá / D.C.  
telephone +57 / 1 288 7799, telex +57 / 1 285 3604

## Denmark

Pfeiffer Vacuum Scandinavia AB, Vesterengen 2,  
DK-2630 Taastrup,  
telephone +45 / 43 52 38 00, telex +45 / 43 52 38 50

## France

Pfeiffer Vacuum France SAS  
45, rue Senouque, BP 139  
F-78531 BUC Cedex  
telephone +33 / (0)1 30 83 04 00,  
telex +33 / (0)1 30 83 04 04

## Germany

Pfeiffer Vacuum GmbH,  
Berliner Strasse 43, D-35614 Asslar  
telephone +49 / 6441 802 400, telex +49 / 6441 802 399  
Service Hotline: +49 / 6441 802 333

## Great Britain

Pfeiffer Vacuum Ltd.  
2-4 Cromwell Business Centre  
Howard Way, Interchange Park  
Newport Pagnell, MK16 9QS, United Kingdom  
telephone +44 / 1 908 500615, telex +44 / 1 908 500616

## Greece

Analytical Instruments S.A., 1 Mantzarou St.,  
GR-15451 Athens,  
telephone +30 / 10 674 8973-7, telex +30 / 10 674 8978

## Hong Kong

Pfeiffer Vacuum Asia Ltd.  
Units 06-07, 17/F, Workingfield Commercial Building,  
408-412 Jaffe Road, Hong Kong  
telephone +852 2575 6688, telex +852 2575 6993

## India

Pfeiffer Vacuum India Ltd.  
25-E Nicholson Road, Tarbund  
Secunderabad 500 009,  
telephone +91 / 40 775 0014, telex +91 / 40 775 7774

## Israel

ODEM Scientific Applications Ltd.  
9 Hamazmera St., P.O.B. 2001 Nes Ziona  
telephone +972 8 938 0333, telex +972 8 938 0334

## Italy

Pfeiffer Vacuum Italia S.p.a.  
Via San Martino, 44 I-20017 RHO (Milano)  
telephone +39 / 2 93 99 051, telex +39 / 2 93 99 05 33

## Japan

Hakuto Co. Ltd., C.P.O. Box 25,  
Vacuum Scientific Instruments Division  
C.P.O. Box 25, Tokyo 100-91  
telephone +81 / 3 32 258 910, telex +81 / 3 32 259 011

## Korea

Pfeiffer Vacuum Korea Ltd.,  
703 Ho, 853-1, Hankuk Mulru, Dongchonri, Suzi-Eup,  
449-843 Yong-in City, Kyungkido  
telephone +82 / 31 266 0741, telex +82 / 31 266 0747

## Netherlands

Pfeiffer Vacuum Nederland BV  
Veldzigt 30a, NL-3454 PW De Meern,  
telephone +31 / 30 6666050, telex +31 / 30 6662794

## Peru

Ing. E. Brammertz s.r.l., José Pardo 182,  
Apartado 173, PE-18 Miraflores,  
telephone +51 / 1 445 8178, telex +51 / 1 445-1931

## Poland

Softtrade Sp.z.o.o, ul. Grunwaldzka 391,  
PL-60-173 Poznan, telephone +48 / 61 8677 168,  
telex +48 / 61 8677 111

## Portugal

Unilaser Lda, Taguspark  
Núcleo Central, sala n° 268, Estrada Cacém-  
Porto Salvo, P-2780 Oeiras  
telephone +351 / 1 421 7733, telex +351 / 1 421 7744

## Singapore

APP Systems Services Pte. Ltd, 2 Corporation Road  
06-14 Corporation Place, Singapore 618494,  
telephone +65 / 268 2024, telex +65 / 268 6621

## Spain

Tecnovac  
Tecnología de Vacío S.L., Ronda de Poniente,  
6 Bajo F, Centro Empresarial Euronova,  
E-28760 Tres Cantos (Madrid)  
telephone +34 / 91 804 11 34, telex +34 / 91 804 30 91

## Sweden

Pfeiffer Vacuum Scandinavia AB  
Johanneslundsvägen 3  
S-194 61 Upplands Väsby  
telephone +46 / 8 590 748 10, telex +46 / 8 590 748 88

## Switzerland

Pfeiffer Vacuum Schweiz S.A.  
Förlibuckstraße 30, CH-8005 Zürich  
telephone +41 / 1 444 2255, telex +41 / 1 444 2266

## South Africa

Labotec Pty Ltd., P.O. Box 6553,  
Halfway House  
1685 Midrand  
telephone +27 / 11 315 5434, telex +27 / 11 315 5882

## Taiwan

HAKUTO Taiwan Ltd. Hsinchu office No. 103,  
Hsien Chen 11th Street, Chupei,  
HsinChu County, Taiwan, R.O.C.  
(zip/postal code: 302)  
telephone +886 / 3 554 1020, telex +886 / 3 554 0867

## Thailand

Hakuto (Thailand) Ltd.  
18th Floor, Chokchail Int'l Bldg.  
690 Sukhumvit Road  
Klongton, Klongtoey  
Bangkok 10110  
telephone +662 / 259 6244, telex +662 / 259 6243

## U.S.A.

Pfeiffer Vacuum, Inc.  
24 Trafalgar Square  
Nashua, NH 03063-1988  
USA  
telephone +1 / 603 578 6500, telex +1 / 603 578 6550

## Venezuela

Secotec S.A., Apartado 3452, Caracas 1010-A,  
telephone +58 / 212 573 8687, telex +58 / 212 573 1932

## Other countries

AVI - Applied Vacuum Industries GmbH  
Leginglenstrasse 17A; CH-7320 Sargans  
Switzerland  
telephone +41 / 81 710 03 80  
telex +41 / 81 710 03 81

## Scope of represented countries

Armenia, Azerbaijan, Bangladesh, Belarus, Bulgaria, Cambodia, Estonia, Georgia, Kazakhstan, Kingdom of Nepal, Kirghizia, Latvia, Lithuania, Maldives, Philippines, P.R. China, Rumania, Russia, Tajikistan, Turkmenistan, Ukraine, Uzbekistan, Vietnam

## A.E.M.S.

Advanced Equipment Materials and Systems  
P.O. Box 25  
Föhrenweg 18  
FL-9496 Balzers  
telephone +423 / 380 0550  
telex +423 / 380 0551

## Scope of represented countries

Bahrain, Egypt, Iraq, Iran, Jordan, Kuwait, Lebanon, Libya, Oman, Pakistan, Saudi-Arabia, Sudan, Syria, Turkey, United Arab Emirates, Yemen

## Zentrale/Headquarters

Pfeiffer Vacuum GmbH

Berliner Str. 43  
D-35614 Asslar

Telefon 06441/802-0  
Telefax 06441/802-202  
Hotline 06441/802-333  
www.pfeiffer-vacuum.de

**PFEIFFER**  **VACUUM**