



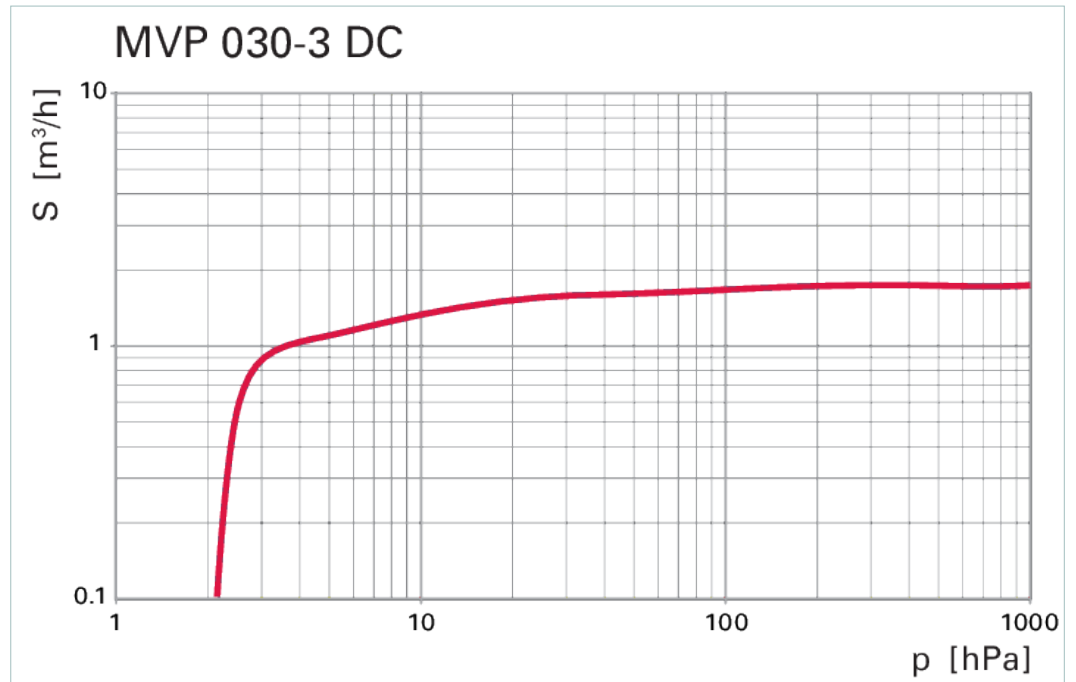
MVP 030-3 DC, Diaphragm pump, 24 V



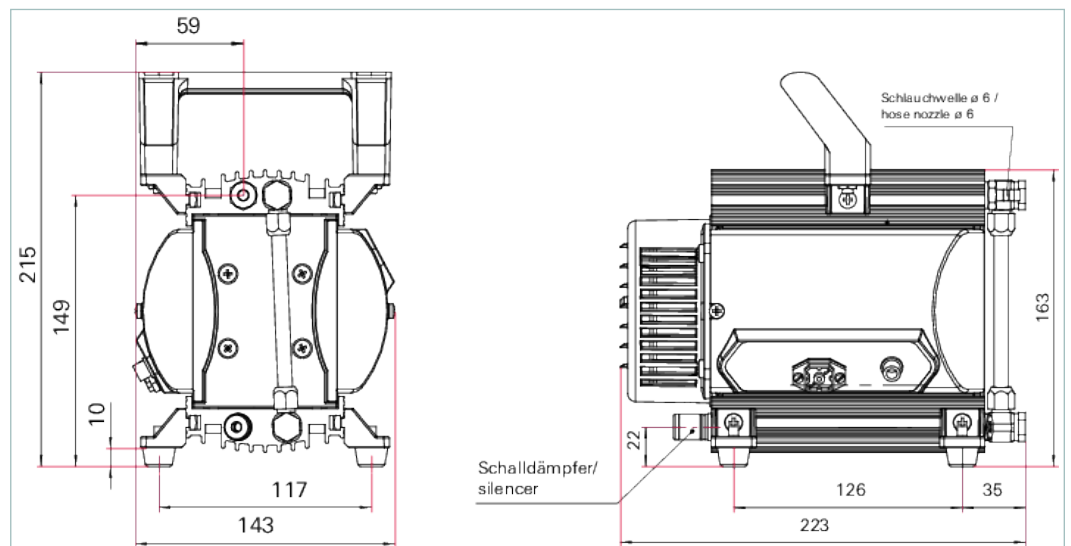
Similar Image

MVP 030-3 DC, Diaphragm pump, 24 V

- High-performance diaphragm pump with a pumping speed of up to 1.8 m³/h
- For 24 V DC direct voltage supply
- Interval operation and rotation speed control
- Optimal process adaptation
- Ideal for applications where a dry and oil-free vacuum is required



Dimensions



Technical Data

Ambient temperature
Cooling method, standard
Current consumption

MVP 030-3 DC, Diaphragm pump, 24 V

12-40 °C | 53.6-104 °F | 285-313 K
Air
4.5 A

| Technical Data | MVP 030-3 DC, Diaphragm pump, 24 V |
|---|---|
| Emission sound pressure level without gas ballast | ≤ 48 dB(A) |
| Exhaust pressure, max. | 1,100 hPa 825 Torr 1,100 mbar |
| Flange (in) | G 1/8" + hose wave DN 6 |
| Flange (out) | G 1/8" + silencer |
| Intake pressure max. | 1,100 hPa 825 Torr 1,100 mbar |
| Leak rate | 1 · 10 ⁻¹ Pa m ³ /s |
| Operating altitude, max. | 2000 m |
| Protection category | IP40 |
| Pumping speed | 1.8 m ³ /h |
| Pumping speed range | 1.8 m ³ /h |
| Rotation speed max. | 2,400 rpm 2,400 min ⁻¹ |
| Supply: Voltage | 24 V DC |
| Switch | No |
| Ultimate pressure with gas ballast | 3 hPa 2.25 Torr 3 mbar |
| Ultimate pressure without gas ballast | 2.5 hPa 1.88 Torr 2.5 mbar |
| Voltage: Range | ±10 % |
| Weight | 4.3 kg 9.48 lb |

| Order number | |
|--------------|------------|
| MVP 030-3 DC | PK T01 190 |

| Accessories | |
|---|---------------|
| Mains cables | |
| Mains cable 230 V AC, CEE 7/7 to C13, 3 m | P 4564 309 ZA |
| Mains cable 115 V AC, NEMA 5-15 to C13, 3 m | P 4564 309 ZE |
| Accessories Diaphragm pumps | |
| Mains cable 115 / 230 V without plug, with IEC 320/C13 socket (straight), 3 m | P 4564 309 ZH |
| Screw-in flange DN 16 ISO-KF / G 1/8" incl. seal | PK 050 108 -T |
| Flushing gas nozzle for MVP 020-3 / MVP 030-3 | PK 050 122 |
| TPS 180, mains pack for wall/standard rail fitting | PM 061 341 -T |
| Control cable, TC 110/120 - Diaphragm pump, 0.5 m | PM 061 433 -X |
| Connection cable TPS - MVP | PM 061 441 -T |

VACUUM SOLUTIONS FROM A SINGLE SOURCE

Pfeiffer Vacuum stands for innovative and custom vacuum solutions worldwide, technological perfection, competent advice and reliable service.

COMPLETE RANGE OF PRODUCTS

From a single component to complex systems:

We are the only supplier of vacuum technology that provides a complete product portfolio.

COMPETENCE IN THEORY AND PRACTICE

Benefit from our know-how and our portfolio of training opportunities!

We support you with your plant layout and provide first-class on-site service worldwide.

Are you looking for a
perfect vacuum solution?
Please contact us:

Pfeiffer Vacuum GmbH
Headquarters · Germany
T +49 6441 802-0
info@pfeiffer-vacuum.de

www.pfeiffer-vacuum.com

All data subject to change without prior notice.

PFEIFFER  **VACUUM**