

E2M28 Two Stage Rotary Vacuum Pump



The EM range of oil-sealed rotary pumps - renowned for its high ultimate vacuum, rapid pumping speed, quiet operation and ability to handle vapor - has become the industry standard for industry and laboratory applications.

The E2M28 pump is a two-stage, direct drive, sliding vane pump. The pump is oil sealed and designed for reliable, long-term operation in both laboratory and industrial environments. The pump is a freestanding unit with the drive provided through a flexible coupling by either a single-phase or three-phase (four-pole) motor.



Supplied with: Ultragrade 19 oil, NW25 O-ring and centering ring, lifting plate.

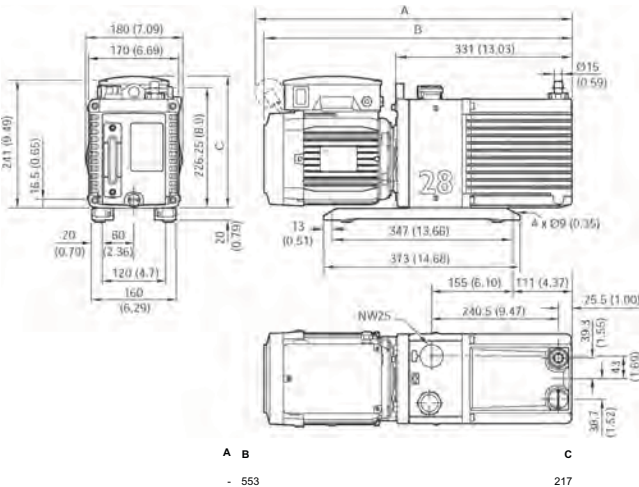
Features & Benefits

- The pump is designed for reliable, long-term operation.
- Thermal overload device prevents overheating (single phase only).
- The pump is a free-standing unit.
- The drive is provided through a flexible coupling by a single-phase or three-phase (four pole) motor.
- The motors are totally enclosed and are cooled by the motor-cooling fan.

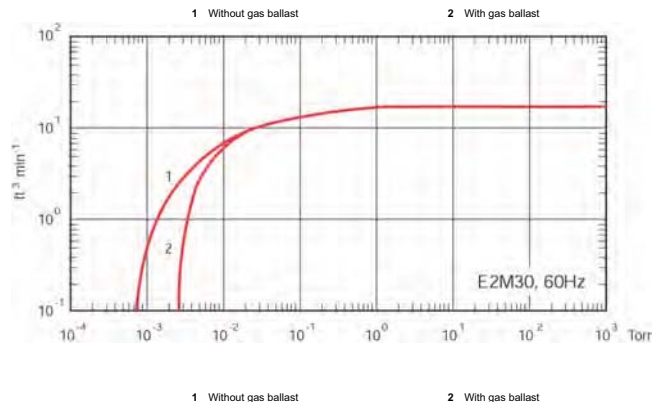
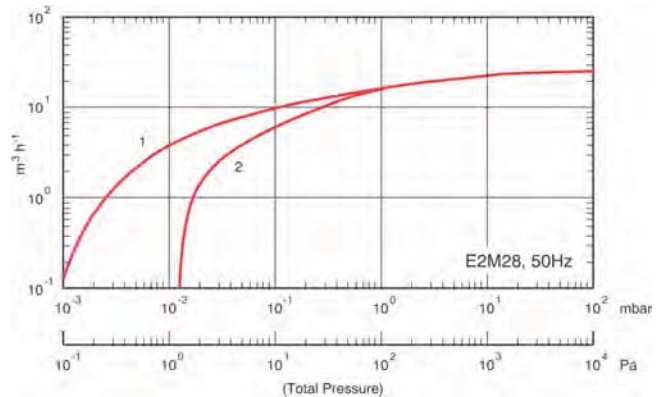
Applications

- Analytical instruments - LCMS
- Automotive
- Beam lines and high energy physics
- Centrifuges, ultra-high speed
- Coating

Dimensions



Performance Curves



Technical Data

Displacement (swept volume) 50 Hz	32.2m ³ h ⁻¹ / 19 ft ³ min ⁻¹
Displacement (swept volume) 60 Hz	38.9 m ³ h ⁻¹ / 22.3 ft ³ min ⁻¹
Speed (Pneurop 6602) 50 Hz	27.5 m ³ h ⁻¹ / 16.2 ft ³ min ⁻¹
Speed (Pneurop 6602) 60Hz	33.0 m ³ h ⁻¹ / 19.5 ft ³ min ⁻¹
Ultimate vacuum (total pressure)	
without gas ballast	1 x 10 ⁻³ mbar / 7.5 x 10 ⁻⁴ Torr
with gas ballast	1.5 x 10 ⁻² mbar / 1.1 x 10 ⁻² Torr
Inlet connection	NW25 flange
Outlet connection	Nozzle 15 mm external Ø removable from 3/4 in BSP tapped hole
Maximum permitted pressure at outlet	0.5 bar gauge / 7 psig
Maximum inlet pressure for water vapor	30 mbar / 23 Torr
Maximum water vapor pumping rate	0.7 kg h ⁻¹
Motor power 50 Hz	0.75 kW
Motor power 60 Hz	0.90 kW
Weight	40 kg / 88 lbs
Noise	57 dB(A) @ 50 Hz
Oil capacity - maximum	1.5 liter
Oil capacity - minimum	1.2 liter
Recommended oil (supplied)	Ultragrade 19

Ordering Information

Product Description	Order No.
E2M28 Two Stage Rotary Vane Pump 200-230/380-415 V, 3-ph, 50 Hz or 200-230/460 V, 3-ph, 60 Hz	A37310940
E2M28 Two Stage Rotary Vane Pump 100/200 V, 1-ph, 50 Hz or 100-105/200-210 V, 1-ph, 60 Hz	A37315904
E2M28 Two Stage Rotary Vane Pump 115/200-230 V, 1-ph, 50/60 Hz with IEC60320 connector fitted	A37317984
E2M28 PFPE Two Stage Rotary Vane Pump 200-230/380-415 V, 3-ph, 50 Hz or 200-230/460 V, 3-ph, 60 Hz	A37321940
E2M28 PFPE Two Stage Rotary Vane Pump 115/200-230 V, 1-ph, 50/60 Hz with IEC60320 connector fitted	A37325984
This product is in the process of being phased out. The direct replacement for the E2M30 would be the E2M28 with part number A37317984	E2M30
Accessories & Spares	Order No.
Ultragrade 19 Oil 4 Litres	H11025013
Model MF30 mist filter	A46233000
Flange NW25 Outlet Adapter	C10501414
Flange NW25 Inlet Adapter	C10520201
2m Electrical supply cable, UK, three-pin plug	A50505003
2m Electrical supply cable, North European plug	A50506003
2m Electrical supply cable, North America/Japan plug	A50507003
2m Electrical supply cable, no plug	A50508003
Spares Kit C&O E2M28	A37301131
Spares Kit Blade Sprung E2M28/30	A37301135
NW25 O Ring Viton Pk 5	H02124035
NW25/25 Centring Nitrile S/S Pk1	C10514396