

STPH301C high performance turbopump

The high performance STPH301C turbomolecular pump has been designed for use in the harshest of semiconductor applications.

Field proven reliability and class leading performance give maximum process flexibility. The STPH301C has been approved for use by major equipment manufacturers in the semiconductor and magnetic media industries.



Features and benefits

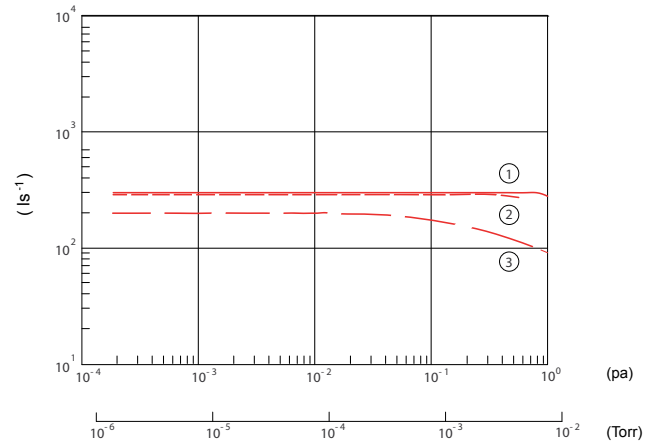
- Advanced rotor technology
 - Higher gas throughput
 - Maximised process flexibility
 - Oil free
 - Low vibration
 - High reliability
 - Maintenance free
 - Harsh process compatible
 - Increased life
- Advanced controller design
 - Auto tuning
 - Self diagnostic functions
 - DC motor drive
 - Battery-free operation
- Compact design
 - Small footprint
 - Half rack controller
- 5 axis magnetic suspension system
 - Zero contamination
 - Low maintenance
 - Any orientation operation

Technical data

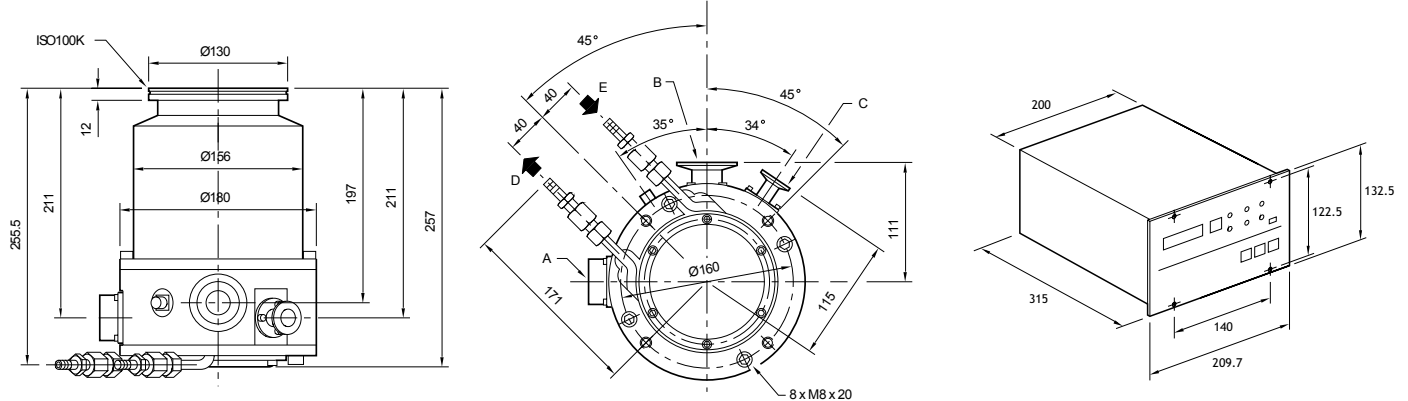
Inlet flange size	ISO100K	
Pumping speed N ₂ /H ₂	300/200	Litres/second
Compression ratio N ₂ /H ₂	>10 ⁸ / 10 ³	
Ultimate pressure	10 ⁻⁷ (10 ⁻⁹)	Pa (Torr)
Maximum continuous outlet pressure*	665 (5)	Pa (Torr)
Maximum Nitrogen throughput*	2500 (4.2)	sccm (Pa m ³ /sec)
Rated speed	48000	rpm
Starting time	4	minutes
Maximum inlet flange temperature [‡]	120	°C
Power consumption (Max, without TMS)	600	VA
Input voltage	100-240	V
Weight, pump/controller	15/9	kg

* water cooled † with cooling

Performance curves



Dimensions



Ordering information

Pump	
Description	Order No.
STPH301C ISO100K inlet	B71901010
STPH301C DN100CF inlet	YT340Z004
STPH301CV (TMS) ISO100F inlet	YT3416001
STPH301CV (TMS) DN100CF inlet	YT3416005

Custom configurations are available for specific OEM applications

Accessories and spares	
Description	Order No.
SCU-800 control unit	YT492Z200
Power cable 5m	PT49Y0A00
Power cable 10m	PT49Y0A01
Connection cable 3m	B75130050
Straight connection cable 5m	B75130020
Straight connection cable 10m	B75130060
TMS connection cable kit	PT330V000
TMS connection cable kit	PT330V001
TMS connection cable kit	PT330V002

- A Electrical Connector
- B Output Port
- C Purge Port
- D Cooling water out
- E Cooling water in
- F Temp sensor connector (option)

Global contacts

EUROPE

UK Crawley +44 1293 528844
 UK (local rate) 08459 212223
 Belgium Brussels +32 2 300 0730
 France Paris +33 1 4121 1256
 Germany Munich 0800 000 1456
 Italy Milan +39 02 48 4471

USA

Niagara (toll free) +1 800 848 9800

BRAZIL

Sao Paulo +55 11 3952 5000

ISRAEL

Qiryat-Gat +972 8 681 0633

ASIA PACIFIC

China (toll free) +86 400 111 9618

India, Pune +91 20 4075 2222

Japan, Yachiyo +81 47 458 8831

Korea, Bundang +82 31 716 7070

Singapore +65 6546 8408

Taiwan R.O.C. Jhunan Town +886 3758 1000



WWW.EDWARDSVACUUM.COM

info@edwardsvacuum.com

Publication Number: B74821895, Issue D
 © Edwards Limited 2013. All rights reserved.
 Edwards and the Edwards logo are trade marks of Edwards Limited.